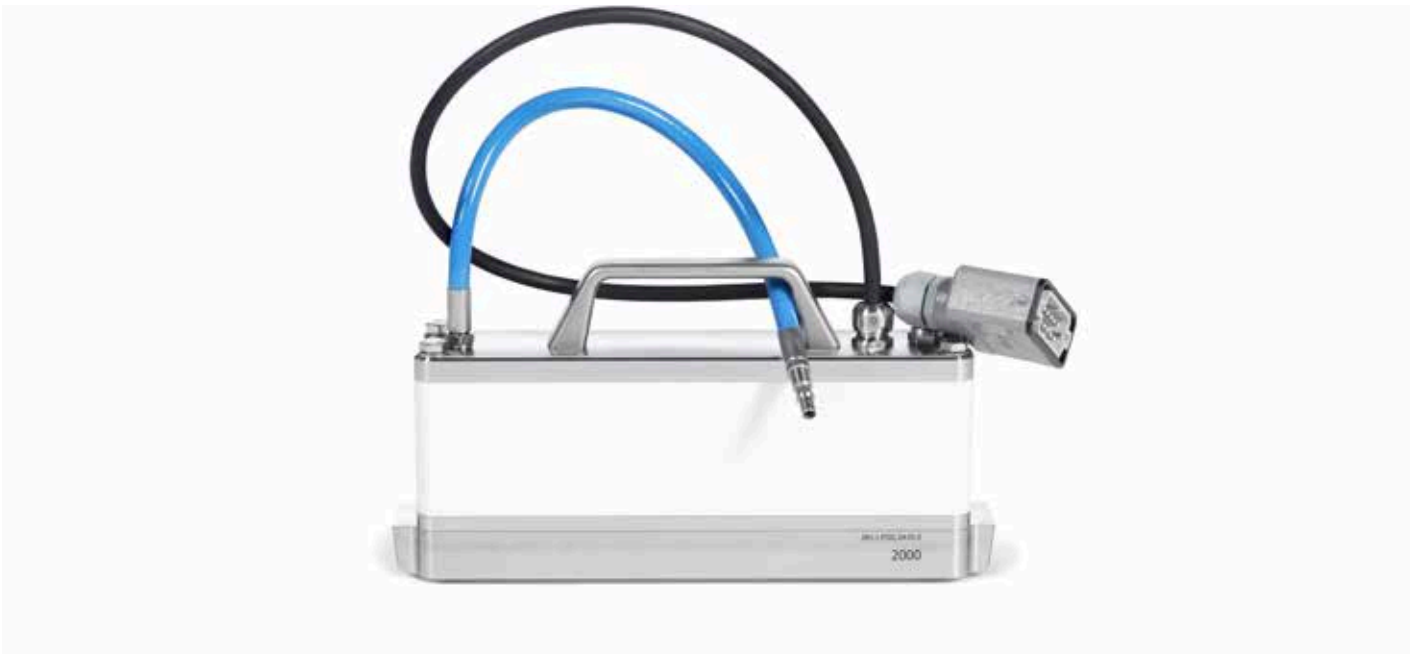




# FJ22

## Depositor head for decoration



### Individually controlled nozzle-jets

The FJ22 is a depositor head with a straight row of nozzles that can “jet” droplets of liquid foodstuff at a high frequency. Every so-called “nozzle-jet” is individually controlled and can fire droplets with varying volumes, creating a dropwise pattern onto a detected moving object. This enables the operator to deposit or “print” graphical depositions, consisting of a large number of defined droplets.

### Hygienic, easy in use and low maintenance

The depositor head is driven by compressed air; however, this does not come in contact with the foodstuff to be deposited as it is separated by a membrane. All food contact areas are stainless steel 316 and completely CIP able. Maintenance is low as there are no moving parts, the only wear part is an easily

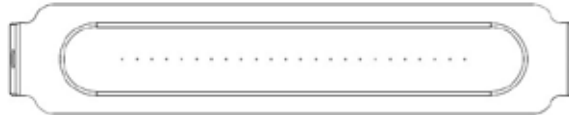
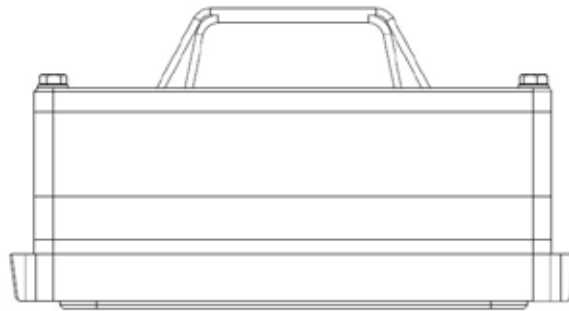
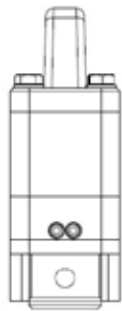
replaceable silicone membrane (FDA approved). The integrated controller board switches the valves with microsecond accuracy and its memory allows up to 128 different patterns, which are easy to program using our FoodJet Designer software.

### Cavity depositing and graphical decorating

The typical field of operation for this type of depositor head is cavity filling and graphical decorating. Printable liquids need to be homogeneous with particle sizes smaller than 50% of the used nozzle diameter. Examples are low viscosity liquids like: tempered chocolate, fat compounds, gels, glaze, oil/fats and all sorts of water solutions.

# FJ22

## Depositor head for decoration



### Technical specifications:

- Available with 24 or 48 nozzles.
- Nozzle sizes range between 400-1500 micron.
- Material printable with viscosities up to 1000cPs.
- Position accuracy better than 0.5 mm.
- Deposit weight reproducibility +/- 2%.
- Minimum droplet size 1.5mm.
- Nozzle frequency between 0-250Hz.
- Long pneumatic valve lifetime: 500,000,000 cycles.

[WWW.FOODJET.COM](http://WWW.FOODJET.COM)



Ambachtsweg 49 | 6541 DA Nijmegen  
The Netherlands | T +31 24 3790061  
info@foodjet.com | www.foodjet.com

**FOODJET**  
PRECISION DEPOSITING SOLUTIONS